













# Spar parts for PVP 252 Motor



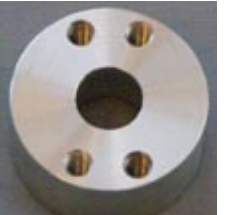

[in PDF](#)

<a href="#">1</a>	<a href="#">2</a>	<a href="#">3</a>	<a href="#">4</a>	<a href="#">5</a>	<a href="#">6</a>	<a href="#">7</a>	<a href="#">8</a>	<a href="#">9</a>	<a href="#">10</a>	<a href="#">12</a>	<a href="#">13</a>			
-------------------	-------------------	-------------------	-------------------	-------------------	-------------------	-------------------	-------------------	-------------------	--------------------	--------------------	--------------------	--	--	--


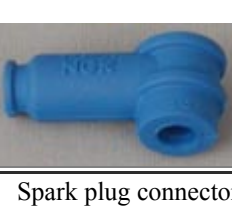


			
802 Oil seal 12/22x7 1	806 Oil seal 20/35x7 3	812 Oil seal 25/40x7 3	820 Oil seal 58/70x7 1

			
836 Ball bearing 629 9/26x8 2RS 2	838 Ball bearing 6001 12x28x8 1	840 Ball bearing 61903 17/30x7 1	844 Ball bearing 6203-TN9/C3 17/40x12 1

			
845 Ball bearing 6203-C3 2RS 17/40x12 1	848 Ball bearing 6004-TN9/C3 20/42x12 2	852 Ball bearing 6304-C3 20/52x15 1	856 Ball bearing 6205 TN9/ C3 25/52x15 1

			
861 Roller bearing NJ205-E-C4-TPV2 25/52x15 4	862 Back plate for RTD ignition	864 Rotor hub for RTD ignition	866 Sensor plate for rotor

			
880 Ignition stator PVL 500801 1	884 Ignition Rotor PVL 500939	888 Ignition coil PVL 500199	892 Digital Ignition coil PVL 500179

			
898 Spark plug connector	899 Spark plug connector NGK TRS 1225	904 Spark plug NGK B10EGP	906 Spark plug NGK R7282-11